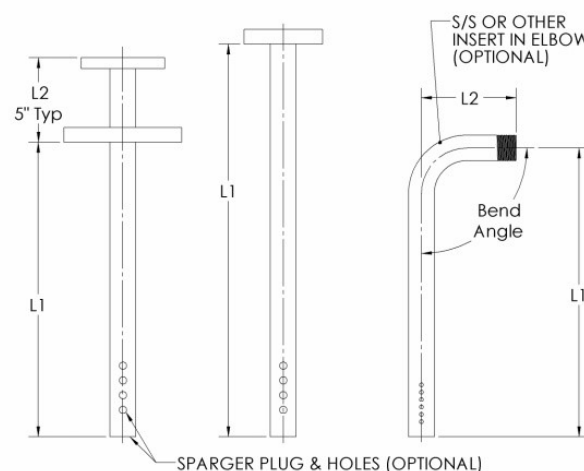


Solid Plastic Dip Pipes, Spargers and Steam Jets

PTFE • PVDF • Polypropylene



RING OR FULL FACE FLANGES, TRI-CLAMP OR NPT CONNECTIONS AVAILABLE



Product Specifications 5.2-2

Included are the most commonly specified sizes for either straight or bent pipes. We will accommodate you with a prompt quotation and a quick delivery for a wide variety of custom designed and fabricated sizes and configurations. Maximum standard overall length is 16 feet. For longer lengths, contact factory.

For tubes used in agitated service, we can help you design, and will custom fabricate, supports made from solid PTFE or other corrosion resistant plastics for attachment to baffles or other reactor internals.

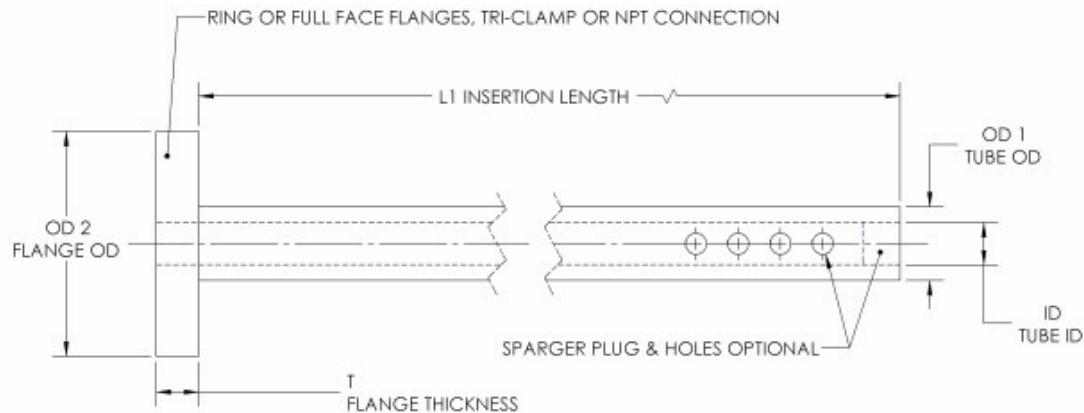
As an alternative, we also manufacture a complete line of PTFE lined and jacketed steel dip pipes and spargers. Please contact the factory for Sales Bulletin and Product Specifications.

Call today for our
Solid Plastic Dip Pipes, Spargers and
Steam Jets Sales Bulletin and
Technical Bulletins

Schedule 80 Pipe Sizes - PTFE, PVDF, PPL

Common Tube Sizes - PTFE

- Flanged to fit 150 lb. ANSI flanged nozzles, or threaded to fit NPT fittings



Solid Plastic Dip Pipes, Sparger & Steam Jets

PART NUMBER: The PART NUMBER (DTSF-NS-MF-L1-B-S) defines the series (See Series Key below), the connecting flange and nominal tube size NS, for double flange units - the mounting (or nozzle) flange size MF, and the insertion length L1. Use a decimal number to indicate NS. Then, replace MF with the decimal number to indicate the nominal size of the mounting flange and replace L1 with the insertion length in inches. Replace B with optional bend in degrees and add S for sparger.

For example, a 1-1/2" Double-Flange Dip Pipe with a 4" mounting flange x 60" insertion length would be **DTD-1.5-4-60**

Series Key:

DTD = PTFE Double Flange
DKD = PVDF Double Flange
DPD = PPL Double Flange
DTSF = PTFE Single Flange (Full Face Type)
DTSR = PTFE Single Flange (Ring Type)
DKSF = PVDF Single Flange (Full Face Type)
DKSR = PVDF Single Flange (Ring Type)
DPSF = PPL Single Flange (Full Face Type)
DPSR = PPL Single Flange (Ring Type)

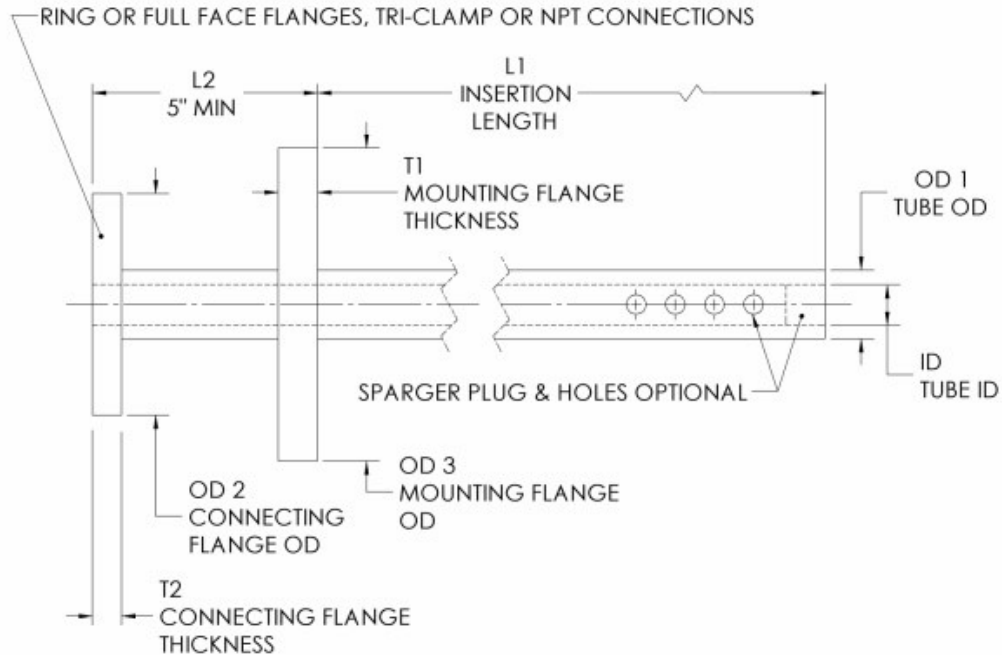
Part Number Key

Series	Connecting Flange and Nominal Tube Size	Mounting Flange	Length	Optional Bend	Sparger
DTSF	0.5 - 6	0.75 - 10	Decimal Inches	Degrees	S

NOTES

1. Standard flanges have ANSI Class 150 drilling. Class 300 and other sizes available.
2. Standard tolerance on inserted length is $\pm 1/2"$. Closer tolerances available, contact factory.
3. For Double Flanged only, Standard distance (L2) between flange sealing faces is 5". To order non-standard spacing, contact the factory.
4. Most dimensions are governed by connecting flange size as shown in the Standard Dimension table on the next page.
5. Maximum standard overall length is 16 feet. For longer lengths, contact factory.
6. For service conditions exceeding 350 F°, or 150 PSI, or vacuum service, contact factory.





STANDARD DIMENSIONS

Table 1 - Pipe & Tube Sizes & Flange Thickness

Nominal Pipe Size (See note 1)	Type	Nominal ID	Suggested Minimum Flange Thickness
1"	Sch. 80	1"	1"
1-1/2"	Sch. 80	1-1/2"	1"
2"	Sch. 80	2"	1-1/2"
2-1/2"	Sch. 80	2-1/2"	1-1/2"
3"	Sch. 80	3"	2"
4"	Sch. 80	4"	2"
1-1/4"	Tube	1/2"	1"
1-3/8"	Tube	3/4"	1"
1-3/4"	Tube	1"	1-1/2"
2-1/4"	Tube	1-1/2"	2"
3"	Tube	2"	2-1/2"

NOTES

1. Other pipe or tube sizes available - contact factory.
2. Bends up to 90° available. Stainless Steel or other metal inserts are available at bends.
3. For spargers, customer to specify hole size and configuration.
4. Double offset optional, contact factory.

Table 2 - Flange Sizes

150 lb. Flange Size	Ring Flange O.D.
Class 150 1-1/2"	3-1/4"
Class 150 2"	4"
Class 150 3"	5-1/4"
Class 150 4"	6-1/2"
Class 150 6"	8-1/2"
Raised Face Flange Size	Raised Face O.D.
1"	2"
1-1/2"	2-7/8"
2"	3-5/8"
3"	5"
4"	6-3/16"

- Flanges are threaded and pinned to the tube.
- Full face flanges available.
- Double flanged units available.
- Steel back-up flanges available.
- Class 300, metric or other flanges available.

Product Specifications 5.2-2

