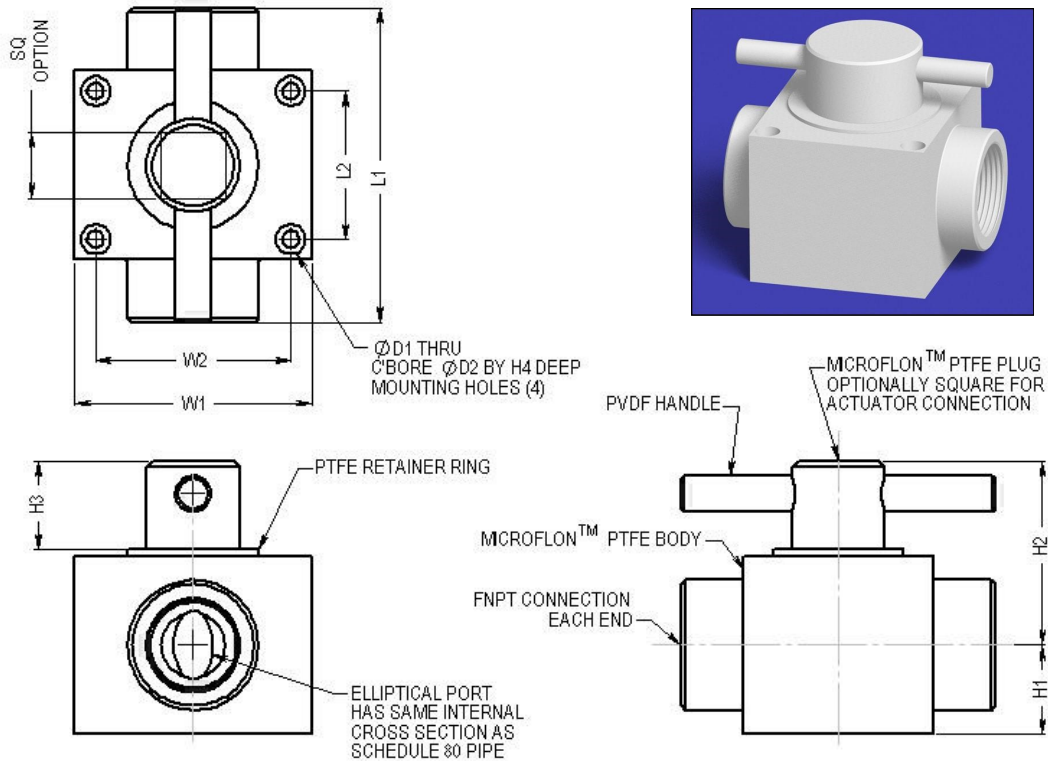


FLUOR-O-FLO®

Virgin PTFE Full Port 2-Way NPT Plug Valve



Nominal Size (inches)	Part No.	L1 (inches)	L2 (inches)	W1 (inches)	W2 (inches)	Ø D1 (inches)	Ø D2 (inches)	H1 (inches)	H2 (inches)	H3 (inches)	H4 (inches)	SQ Option
1/8"	FV-PV01	2.18	0.72	1.50	1.10	0.12	0.28	0.63	1.32	0.63	0.19	0.36
1/4"	FV-PV02	2.18	0.72	1.50	1.10	0.12	0.28	0.63	1.32	0.63	0.19	0.36
3/8"	FV-PV03	3.32	1.56	2.50	2.06	0.17	0.31	0.94	1.94	0.93	0.25	0.69
1/2"	FV-PV04	3.32	1.56	2.50	2.08	0.17	0.31	0.94	1.94	0.93	0.25	0.69
3/4"	FV-PV06	3.36	1.56	2.50	2.06	0.20	0.31	1.13	2.40	1.20	0.25	0.85
1"	FV-PV08	4.35	2.13	3.50	3.00	0.27	0.38	1.38	2.93	1.48	0.25	1.06

- Valves are available in 1/8" through 1"
- Standard connections are Female NPT; custom connections including Flanged, Tri-Clamp, True-Union, Hose-Barb, Flare or Compression Tube Fittings, Male NPT, and PFA butt-weld available on special order
- Valves are full-port with the through orifice equal to the area of schedule 80 pipe
- Quarter Turn Actuation
- Pressure ratings are equal to Micromold's FLUOR-O-FLO® PTFE piping system. Pressure rating chart available on request.
- Service temperatures – ambient to 300°F
- Wetted parts are made from Micromold's MICROFLON™ virgin PTFE providing superior resistance to creep
- Suitable for vacuum service
- Valves are individually tested in accordance with MSS-SP-82-1992-BW
- Handle length is same as L1
- See reverse side for torque ratings.

Call today for our FLUOR-O-FLO® PTFE Valve Sales Bulletin

Quarter Turn Valves Comparative Break Torques (inch-pounds)			
	<u>MICROMOLD</u>	<u>XOMOX</u>	<u>ITT</u>
Nominal Size (inches)	Solid PTFE Plug Valves	PTFE Sleeved Lined Steel Plug Valves	Tefzel Lined Steel Ball Valves
1/4"	6	NA	NA
1/2"	45	140	NA
3/4"	50	140	120
1"	75	400	120

