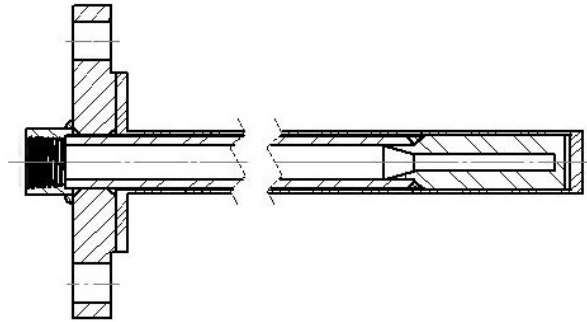
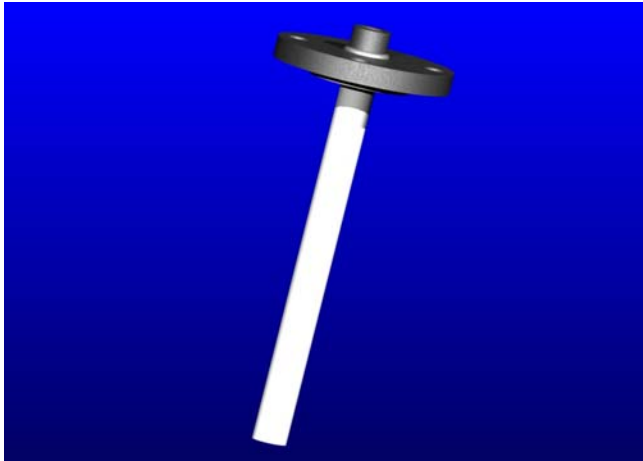




## Thermowells

### PTFE Jacketed Stainless Steel



- Units are flanged to install on Class 150 full-face flanges. Other flanged connections are available, such as ring style, Class 300 or ISO Metric sizes
- Where additional strength is needed, we can custom build larger diameter units (up to 4")
- We can perform analysis of the effect of agitation, and design a well to accommodate
- Maximum service temperature – 350°F
- For faster heat transfer, units are also available with Tantalum tips which are sealed to the PTFE jacket
- Thermowells are also available in solid plastic Virgin PTFE

Micromold's PTFE jacketed stainless steel Thermowells are uniquely suited to protect temperature sensors in highly corrosive or high purity environments. Standard sensor wells are 0.260" diameter and 0.385" diameter to accommodate all standard thermocouple tips. We can provide insertion lengths ranging from 4" up to 180".

Standard units are made using stainless steel type 304L or 316L schedule 80 pipe as the structural material. They are also available in carbon steel. Other metals such as Monel or Hastelloy are available on request.

Flanges have a PTFE facing that provides an integral connection to the thermowell jacket, and a leak tight seal to the tank nozzle or pipe flange.

A ½" female NPT half coupling is located on top of the flange to accommodate the standard ½" NPT nipples commonly used to support the sensor body. The sensor element can be easily inserted or removed from a pipe or vessel without compromising your process.

These Thermowells are made by the company with in-depth expertise in the design and manufacture of PTFE lined and jacketed steel dip pipes and spargers.

