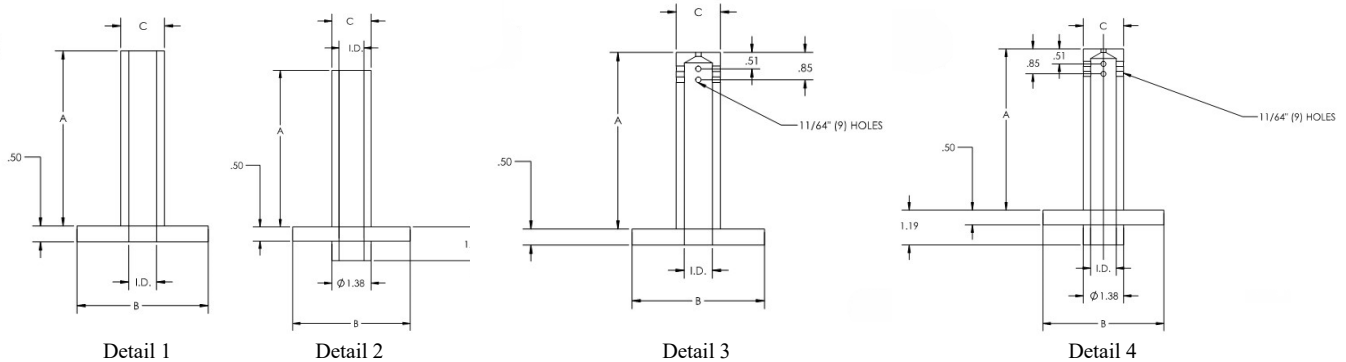


FLUOR-O-FLO®  
Mixing Tee Injection Nozzles

PTFE



For Equal Tees					
NPS	Part No.	A Insertion Length	B Flange OD	C Tube OD	Tube ID
1"	MIXTEE-1	3-1/2"	2-5/8"	9/16"	1/4"
1-1/2"	MIXTEE-1.5	4"	3-3/8"	1-1/8"	1/2"
2"	MIXTEE-2	4-1/2"	4-1/8"	1-3/8"	7/8"
2-1/2"	MIXTEE-2.5	5"	4-7/8"	1-3/4"	1"
3"	MIXTEE-3	5-1/2"	5-3/8"	2-1/2"	1-1/2"
4"	MIXTEE-4	7-3/8"	6-7/8"	2-1/2"	1-1/2"
6"	MIXTEE-6	9-3/8"	8-3/4"	2-1/2"	1-1/2"
8"	MIXTEE-8	11"	11"	2-1/2"	1-1/2"

**Connection**  
Optional 1/2" FNPT.

**End**  
Square cut end is standard. Diagonal cut available on request.

**Flanges**  
Available in Ring or Full-Face.

\*Custom sizes/materials available on request, contact factory.

Call today for our  
PTFE Mixing Tee Injection Nozzles  
Sales Bulletin

For Reducing Tees						
Major Size NPS	Minor Size NPS	Part No.	A Insertion Length	B Flange OD	C Tube OD	Tube ID
1-1/2"	1"	MIXTEE-1.5X1	4"	2-5/8"	9/16"	1/4"
2"	1"	MIXTEE-2X1	4-1/2"	2-5/8"	9/16"	1/4"
2"	1-1/2"	MIXTEE-2X1.5	4-1/2"	3-3/8"	1-1/8"	1/2"
3"	1"	MIXTEE-3X1	5-1/2"	2-5/8"	9/16"	1/4"
3"	1-1/2"	MIXTEE-3X1.5	5-1/2"	3-3/8"	1-1/8"	1/2"
3"	2"	MIXTEE-3X2	5-1/2"	4-1/8"	1-3/8"	7/8"
4"	1"	MIXTEE-4X1	7-3/8"	2-5/8"	9/16"	1/4"
4"	1-1/2"	MIXTEE-4X1.5	7-3/8"	3-3/8"	1-1/8"	1/2"
4"	2"	MIXTEE-4X2	7-3/8"	4-1/8"	1-3/8"	7/8"
4"	3"	MIXTEE-4X3	7-3/8"	5-3/8"	2-1/2"	1-1/2"
6"	1"	MIXTEE-6X1	9-3/8"	2-5/8"	9/16"	1/4"
6"	1-1/2"	MIXTEE-6X1.5	9-3/8"	3-3/8"	1-1/8"	1/2"
6"	2"	MIXTEE-6X2	9-3/8"	4-1/8"	1-3/8"	7/8"
6"	3"	MIXTEE-6X3	9-3/8"	5-3/8"	2-1/2"	1-1/2"
6"	4"	MIXTEE-6X4	9-3/8"	6-7/8"	2-1/2"	1-1/2"
8"	1"	MIXTEE-8X1	11"	2-5/8"	9/16"	1/4"
8"	1-1/2"	MIXTEE-8X1.5	11"	3-3/8"	1-1/8"	1/2"
8"	2"	MIXTEE-8X2	11"	4-1/8"	1-3/8"	7/8"
8"	3"	MIXTEE-8X3	11"	5-3/8"	2-1/2"	1-1/2"
8"	4"	MIXTEE-8X4	11"	6-7/8"	2-1/2"	1-1/2"
8"	6"	MIXTEE-8X6	11"	8-3/4"	2-1/2"	1-1/2"