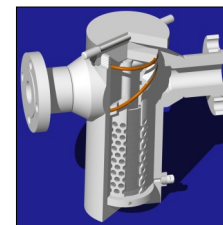


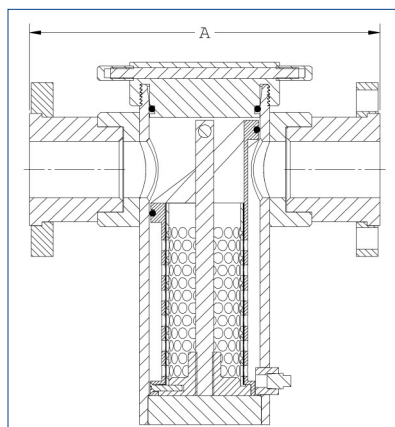
FLUOR-O-FLO®  
**PVDF & PTFE Basket Strainers**  
**INSTALLATION AND MAINTENANCE GUIDE**


**Installation Tips**

- 1. Flow Orientation:** Observe flow direction--Inlet and outlet markings are on the connecting bosses.
- 2. Axial Alignment:** To avoid damage to the housing - ensure that the inlet and outlet piping centerlines are in alignment. For flanged units, ensure connecting flanges are parallel with the strainer's sealing surfaces.
- 3. Connection Spacing:** Observe end-connection spacing, given in table to the right. For flanged units, do not rely on bolts to draw connecting pipes to strainer. Err on the side of less, rather than more spacing to minimize stresses on the housing welds. Allowance for NPT thread, or Socket Weld insertion will further reduce the spacing.
- 4. Body Support:** The strainer body must be fully supported to eliminate weight-bearing stresses on the housing welds from the weight of the strainer body and the fluids it contains.
- 5. Flanged Connection Gaps or Misalignment:** If the gap between rigidly mounted inlet and outlet piping flanges is too large to accommodate the strainer (e.g., gap of 1/16" or more), or if the inlet and outlet piping flanges are not carefully aligned (e.g. angular deviation of 2° or more), Micromold can make spacers to fill the gap, fix the alignment, or both. For information on purchasing such spacers, provide the centerline distance plus the angular gap to be filled to your distributor who will provide you with a quotation from Micromold. If the gap is less than 1/16" or the misalignment is less than 2°, 1/16" gaskets at each end are satisfactory to fill the gap/misalignment.

**6. NPT Threaded Connections:** When tightening male NPT threaded pipe or fittings into the female NPT threads of the basket strainer, it is important to minimize the stress on the outlet bosses. To accomplish this, while using a wrench to tighten the male NPT side, grip the strainer side using a strap wrench around the strainer's female NPT outlet boss.

NOTE: We strongly recommend use of Formula-8 Teflon PTFE paste sealant, available from Micromold, on PTFE-to-PTFE NPT threaded joints.


**Operating Pressures**

Maximum operating pressure varies with temperature, strainer size and material. As a general rule, maximum long-term operating pressures at room temperature are shown in the table below. Short-term operating pressures can be substantially higher with PTFE units since creep would not be a factor. For guidance in higher temperature environments, contact the factory.

**End Connection Spacing and Maximum Long-Term Operating Pressures at Room Temperature**

Nominal Size		End Connection Spacing Dim A	PVDF Strainer	PTFE Strainer
(in.)	(mm)	(inches)	(PSI)	(PSI)
1/2"	20	10.3	150	50
3/4"	25	10.3	150	50
1"	32	10.3	150	50
1-1/4"	40	12.1	100	35
1-1/2"	50	12.1	100	35
2"	63	12.1	100	35
3"	90	14.6	60	25

**O-ring Replacement:** For O-ring replacement, please refer to our Technical Bulletin 4.2-3b Strainer O-Ring Replacement, which can be found in the Literature Tab of our website [www.micromold.com](http://www.micromold.com).

**O-ring AS 568 Dash Numbers**

Nominal Size		PVDF and PTFE Basket Strainer	PVDF and PTFE Basket Strainer
(in.)	(mm)	Cartridge <sup>1</sup> O-ring	Cap <sup>2</sup> O-ring
1/2"	20	-335	-333
3/4"	25	-335	-333
1"	32	-335	-333
1-1/4"	40	-344	-341
1-1/2"	50	-344	-341
2"	63	-344	-341
3"	90	-361	-356

<sup>1</sup>Standard cartridge o-ring: FEP encapsulated hollow-core silicone rubber  
<sup>2</sup>Standard cap o-ring: FEP encapsulated solid-core silicone rubber.